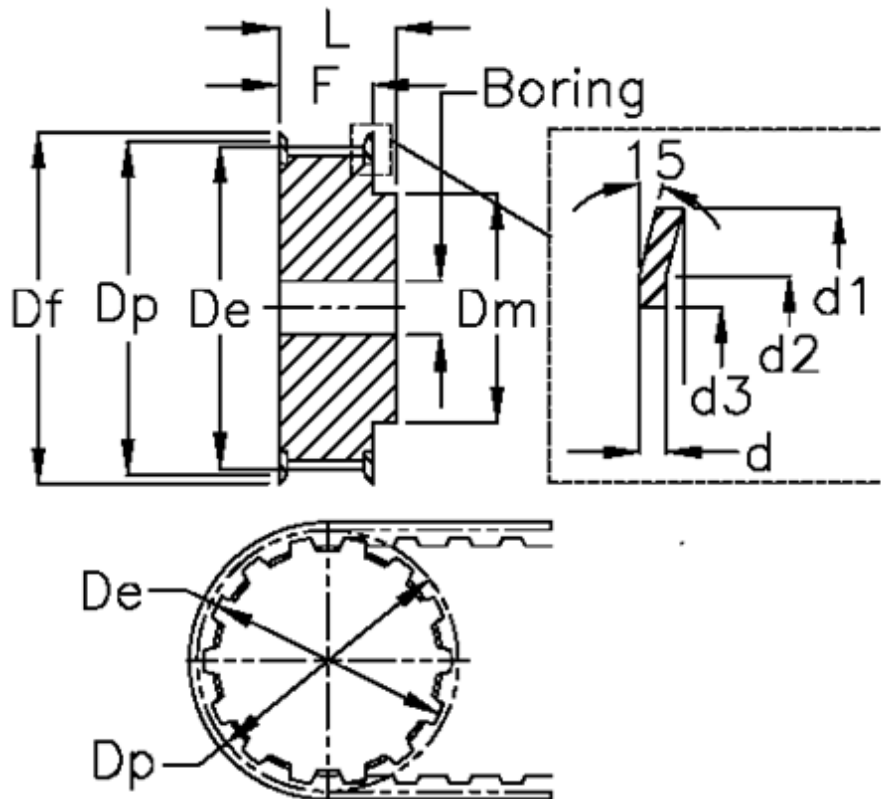


Article number: 60415440016

Description: Timing Belt Pulley 40 AT10 16/2

Measures



Belt width = - 25 mm	Dp	= 51.1
d = 1	F	= 30
d1 = 54	Flange type	= F20
d2 = 50.5	L	= 40
d3 = 43	Pre-drilled	= 8
De = 49.1	Tooth number	= 16
Df = 54	Type	= AT10
Dm = 35	Weight	= 0.176